

15

**Valves for Cryogenic/
High & Low Temp.
Gas/LNG**



CRYOGENIC Ball valves

+ Low & High Temperature ball valves

Pressure class: up to class 2500

Connections: BW, SW, NPT/BSP & Flanged ANSI & DIN

Temp: - 196 dg.C + 180dg.C

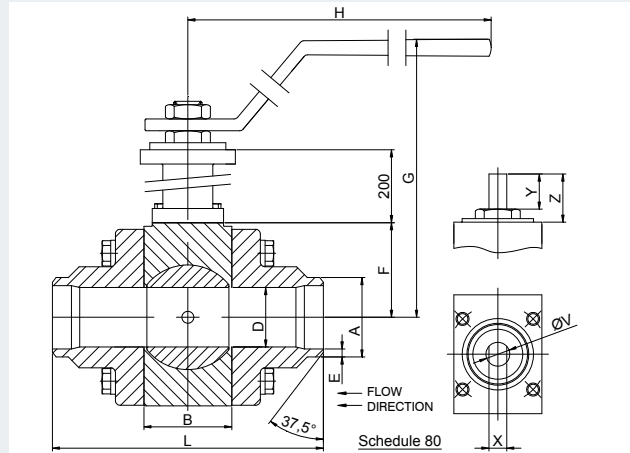
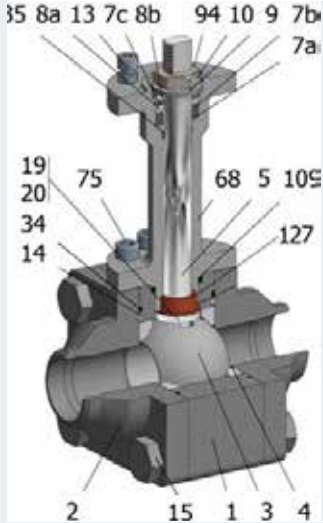
Material: Carbon , SS316 and other matl. grade on request
OV, Actuators.





DS-4195
Rev.1

**FIG.ZFKOU 806 KTTGN CL800 1/4"-1
1/2" BW**



Position	Description	Material
01	Body 1	A182 F316/316L
02	Body 2	A182 F316/316L
03	Ball	XM-19
04	Seat	PCTFE
05	Stem	XM-19
07a	Stem packing 1	PTFE
07b	Gland packing 2	Graphite
07c	Stem packing 3	Graphite
08a	Gland packing 1	S.S. AISI 316
08b	Gland packing 2	S.S. AISI 316
09	Spring washer	S.S. AISI 301
10	Stem nut	S.S. AISI 304
13	Stop bolt	S.S. (316)
14	Body seal 1	PTFE
15	Body bolt	A193 B8M
16	Handle	PAINTED C.S.
19	Spring	S.S. AISI 316
20	Antistatic ball	S.S. AISI 316
34	Body seal 2	Graphite
35	O ring stem	NBR
68	Stem extension casing	S.S. AISI 316/316L
75	Extension bolt	S.S. (316)
94	Stop washer	S.S. AISI 301
109	Cover seal	Graphite
127	Stem bearing	PTFE+CG

General features

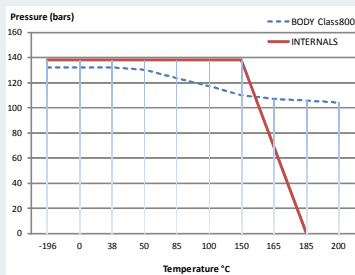
- Degreased
- Fire Safe Design
- Three pieces.
- Full bore.
- Soft seat.
- Unidirectional.
- Anti Blow out proof stem.
- Autoadjustable packing.
- Anti static device.
- Self-cavity pressure relief.
- Allows in-line maintenance

Standards

- Top flange ISO 5211
- Socket-welding ends B16.11
- Materials according to NACE MR0175
- Testing API 598, BS 6755-1
- Design B16.34

Official approvals

- ATEX 2014/34/EU
- PED 2014/68/EU
- SIL 3 CAPABLE
- TA-LUFT VDI 2440
- ISO 15848-1
- BS6364



PEKOS GROUP CERTIFICATES:
ISO 9001-2008 / 97-23-CE / API-6D



15

DIMENSIONS & Technical information

DN	CL	D	L	E	A	B	C	F	H	G	V	X	Y	Z	n x d	ISO 5211	Torque	MAST	Weight
1/4"	800	11	76	3,03	13,7	19	9,5	31	145	286	10	5,5	9	10	- x -	F03	13	32,3	2,0
3/8"	800	11	76	3,20	17,1	19	9,5	31	145	286	10	5,5	9	10	- x -	F03	13	32,3	2,0
1/2"	800	15	80	3,73	21,3	21	9,5	32,5	145	288	10	5,5	9	10	- x -	F03	17	32,3	2,5
3/4"	800	21	100	3,91	26,7	28	12,5	39	180	310	12	7,5	14	20	- x -	F04	26	64,8	2,5
1"	800	25	110	4,55	33,4	37	12,5	38	180	308	12	7,5	14	20	- x -	F04	36	64,8	4,5
1 1/4"	800	32	120	4,85	42,2	44	12,5	43	220	317	15	9	21	28	- x -	F05	43	123,0	6,0
1 1/2"	800	38	140	5,08	48,3	51	12,5	47,5	220	322	15	9	21	28	- x -	F05	50	123,0	6,5

** Depending on service conditions.

* Dimensions are in mm.

* Torque & MAST are in Nm

* Weight is in Kilogram

* Torque values have been measured ΔP at maximum rating at room temperature

Sub Suppliers

ABACUS	Wafer Check valves
ALCO VALVES	Instrumentation valves
BIS	Control Valves
BROADY	Safety and Pressure reducing valves
CLASSIC FILTER	Filters
CONBRACO APOLLO	Marine Valves
DK-TECH	Instrument fittings and valves
DR. BREIT	Solenoid and Control valves
EMMECI	Ball & Modular Valves
EMME TECH	Actuators
GEMELS	Hydraulic Ball, Check and Needle valves
H+ VALVES	Safety relief valves
HIP	High pressure fittings, valves and tubing
ITAP	Brass valves
MARSH BELLOFRAM	Air regulators
MODENTIC	Low Pressure fittings, valves and flanges
MVM	Subsea Valves
PEKOS	Ball Valves, Floating & Trunnion + Cryogenic
PREMIER	Pressure & Back Regulators
SC HYDRAULIC	Pumps, Boosters and test equipment
TTV	Butterfly valves

Contact Information

Valnor AS
Tornroseveien 8,
4315 Sandnes
NORWAY

Telephone: +47 51 82 74 20
Email: valnor@valnor.no
Web: www.valnor.no
Organization no: NO 980 988 546 MVA

SALES

Roger Selnes
Direct: 51 82 74 25
Mobile: 976 56 485
Email: roger.selnes@valnor.no

Torbjørn Øigjord
Direct: 51 82 74 24
Mobile: 455 19 309
Email: torbjorn.oigjord@valnor.no

Mattias Aspenstrøm
Direct: 51 82 74 30
Mobile: 950 02 486
Email: mattias.aspenstrom@valnor.no

Rolf Selnes
Direct: 51 82 74 22
Mobile: 976 56 483
Email: rolf.selnes@valnor.no

Bård Høie Lervik
Direct: 51 82 74 23
Mobile: 909 50 203
Email: baard.hoie.lervik@valnor.no

DOCUMENTATION/EXPEDITING

Cecilie Marie Evora
Direct: 51 82 74 29
Email: cecilie.evora@valnor.no

INVOICE/EXPEDITING

Margunn Kolnes
Direct: 51 82 74 27
Email: margunn.kolnes@valnor.no

WAREHOUSE

Trine Øyen
Direct: 51 82 74 31
Email: trine.oyen.johnsen@valnor.no

OTHER CONTACTS

Warehouse: lager@valnor.no
Invoice: invoice@valnor.no
Documentation: doc@valnor.no